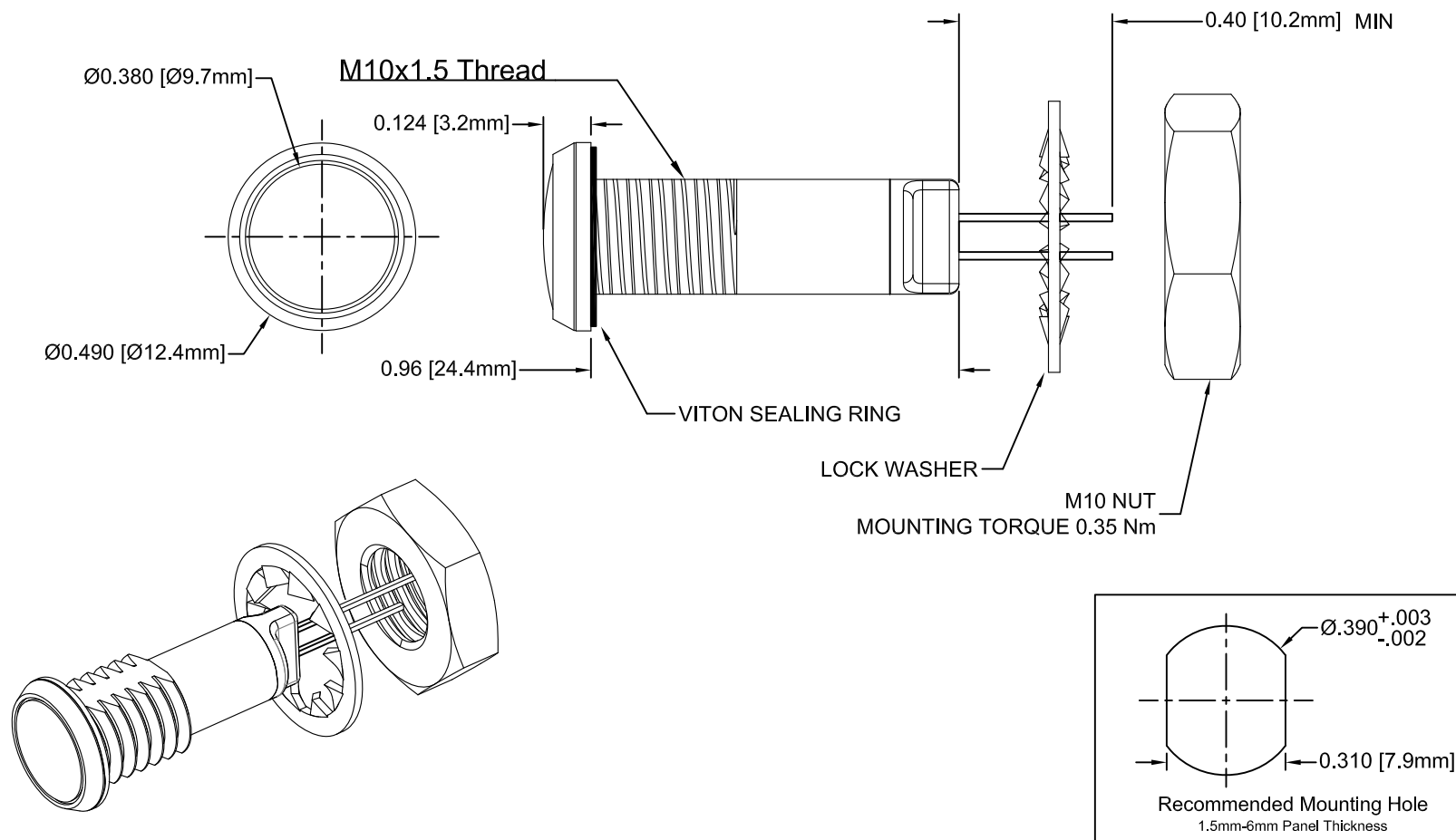


661 Series

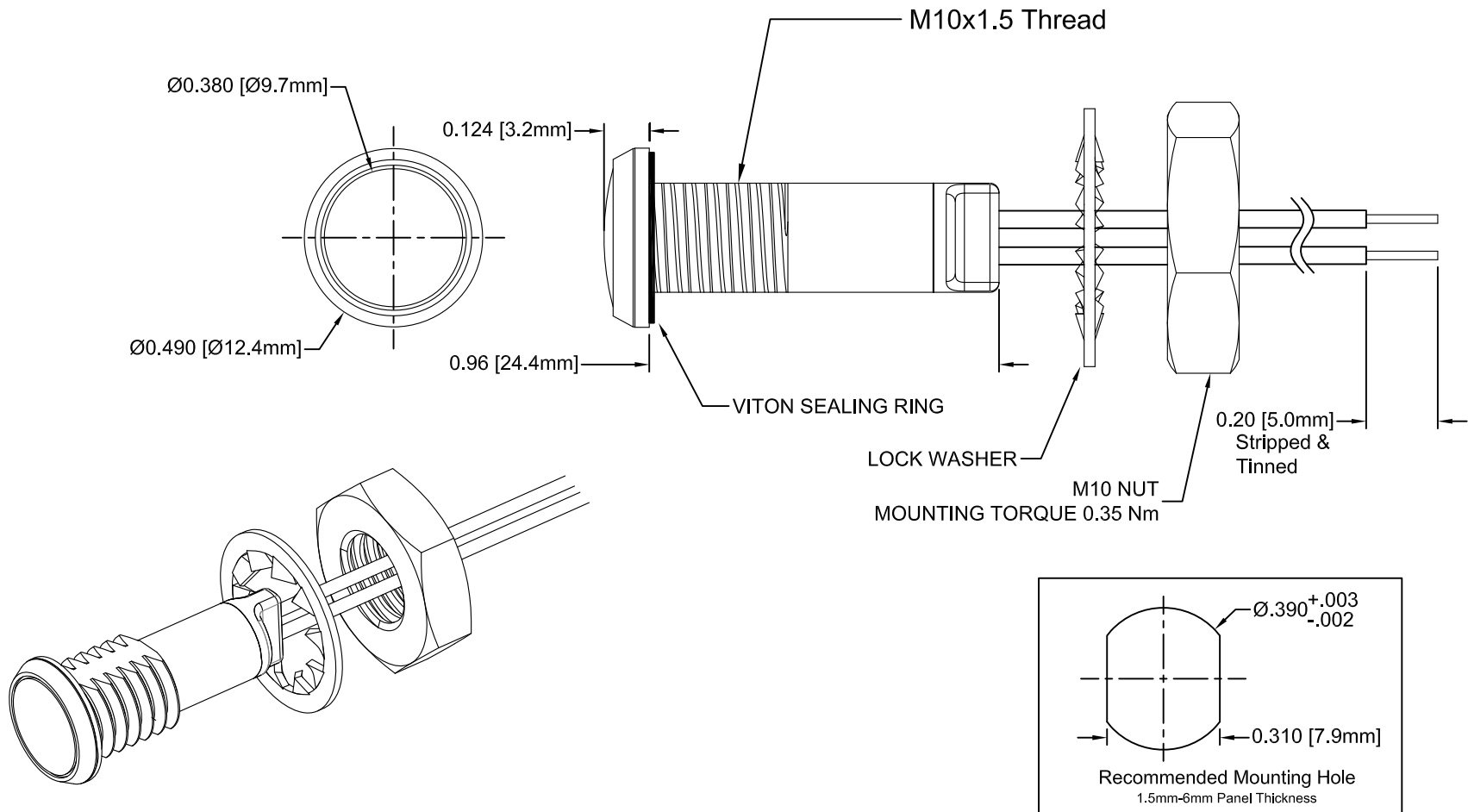


NOTES:

1. SEALED TO IP67 RATING
2. WIDE RANGE VOLTAGE INPUT, 8-48 VAC/VDC
3. BI-POLAR OPERATION
4. ROHS COMPLIANT
5. MOUNTING HARDWARE SHIPPED NON-ASSEMBLED
6. INSERT VITON RING ON PANEL MOUNT PRIOR TO PANEL INSERTION

| | | | |
|--|---------|-----------------------|--|
| STANDARD TOLERANCE (UNLESS OTHERWISE SPECIFIED) | | MARL | MARL BUSINESS PARK, ULVERSTON, UK. LA12 9BN Tel: +44 (0)1229 582 430. Web: www.leds.co.uk |
| DECIMALS | ANGULAR | | |
| .X ± .1 | X° ± 1° | | |
| .XX ± .02 | | ⊕ | TITLE: IP67 Rated Panel Mount Indicator |
| .XXX ± .010 | | | PART NO: 661 Series |
| Provisional | | SHEET # 1 OF 3 | |
| <small>CAD GENERATED DOCUMENT, DO NOT MEASURE DRAWING.</small> | | | |

661 Series (Flying Leads version)



NOTES:

1. SEALED TO IP67 RATING
2. WIDE RANGE VOLTAGE INPUT, 8-48 VAC/VDC
3. BI-POLAR OPERATION
4. ROHS COMPLIANT
5. MOUNTING HARDWARE SHIPPED NON-ASSEMBLED
6. INSERT VITON RING ON PANEL MOUNT PRIOR TO PANEL INSERTION


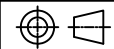
| | | | |
|--|----------------|---|--|
| STANDARD TOLERANCE (UNLESS OTHERWISE SPECIFIED) | | MARL | MARL BUSINESS PARK, ULVERSTON, UK. LA12 9BN Tel: +44 (0)1229 582 430. Web: www.leds.co.uk |
| <u>DECIMALS</u> | <u>ANGULAR</u> | | |
| .X ± .1 | X° ± 1° | | |
| .XX ± .02 | | TITLE: IP67 Rated Panel Mount Indicator | |
| .XXX ± .010 | | PART NO: 661 Series | |
| Provisional | | SHEET # 2 OF 3 | |
| <small>CAD GENERATED DOCUMENT, DO NOT MEASURE DRAWING.</small> | | | |

| Marl Part No. | LED Part Number | Peak Wave Length λ_p (nm) | Emitted Colour | Lens Appearance | Electro-Optical Data @ 20mA | | Viewing Angle | Termination |
|---------------|-----------------|-----------------------------------|----------------|-----------------|-----------------------------|--------------|---------------|-------------------|
| | | | | | Typ Vf (VAC/VDC) | LED Iv (mcd) | | |
| | | | | | TYP | TYP | | |
| 661-508-64 | 508 | 605 | AMBER | WHITE DIFFUSED | 8-48 | 25 | 120 | PINS |
| 661-508-64-40 | | | | | | | | 12IN FLYING LEADS |
| 661-520-64 | 520 | 430 | BLUE | WHITE DIFFUSED | 8-48 | 200 | 120 | PINS |
| 661-520-64-40 | | | | | | | | 12IN FLYING LEADS |
| 661-514-64 | 514 | 568 | GREEN | WHITE DIFFUSED | 8-48 | 30 | 120 | PINS |
| 661-514-64-40 | | | | | | | | 12IN FLYING LEADS |
| 661-502-64 | 502 | 625 | HE RED | WHITE DIFFUSED | 8-48 | 25 | 120 | PINS |
| 661-502-64-40 | | | | | | | | 12IN FLYING LEADS |
| 661-505-64 | 505 | 645 | RED | WHITE DIFFUSED | 8-48 | 40 | 120 | PINS |
| 661-505-64-40 | | | | | | | | 12IN FLYING LEADS |
| 661-511-64 | 511 | 590 | YELLOW | WHITE DIFFUSED | 8-48 | 300 | 120 | PINS |
| 661-511-64-40 | | | | | | | | 12IN FLYING LEADS |

| Marl Part No. | LED Part Number | Colour Temperature | Emitted Colour | Lens Appearance | Electro-Optical Data @ 20mA | | Viewing Angle | Termination |
|---------------|-----------------|--------------------|----------------|-----------------|-----------------------------|--------------|---------------|-------------------|
| | | | | | Typ Vf (VAC/VDC) | LED Iv (mcd) | | |
| | | | | | TYP | TYP | | |
| 661-997-64 | 997 | 5000K | NEUTRAL WHITE | WHITE DIFFUSED | 8-48 | 600 | 120 | PINS |
| 661-997-64-40 | | | | | | | | 12IN FLYING LEADS |

ABSOLUTE MAXIMUM RATINGS (Ta = 25°C)

MAXIMUM POWER DISSIPATION _____ 400 mW
 OPERATING TEMPERATURE RANGE _____ -30°C ~ 85°C
 STORAGE TEMPERATURE _____ -40°C ~ 85°C

| | | |
|---|--------------------|---|
| STANDARD TOLERANCE (UNLESS OTHERWISE SPECIFIED) | |  MARL BUSINESS PARK, ULVERSTON, UK. LA12 9BN Tel: +44 (0)1229 582 430. Web: www.leds.co.uk |
| DECIMALS .X ± .1 .XX ± .02 .XXX ± .010 | ANGULAR X° ± 1° | |
|  | | TITLE: IP67 Rated Panel Mount Indicator |
| | | PART NO: 661 Series |
| <h1>Provisional</h1> | | SHEET # 3 OF 3 |
| | | CAD GENERATED DOCUMENT, DO NOT MEASURE DRAWING. |